

Company: _____

Account Number: _____ Date: _____

Quote PO Number: _____

RTS: _____

Marked For: _____

Rogue K0005, E1235 _____ **Add Charge**
Rogue Standard Frame. 275 lb weight capacity.

Ship To: _____

Address: _____

City: _____ State: _____

Zip: _____ Phone: _____

Email/Fax: _____

HCPCS codes provided are based on code verification by the PDAC or our interpretation of the code definitions.

Proper use of HCPCS codes does not ensure coverage or payment. For coverage information, verify the appropriate payer's coverage policy.

Frame

Seat Width / Seat Depth

Select box corresponding to desired Seat Width and Depth.
 See references A and B on page 6.

		Seat Width										
		12"	13"	14"	15"	16"	17"	18"	19"	20"		
Seat Depth	14"	Price HCPCS	N/C	N/C	N/C	N/C	N/C	N/C	N/C	N/C	N/C	Add Charge
	15"	N/C	<input type="checkbox"/>	<input type="checkbox"/>	<input type="checkbox"/>	<input type="checkbox"/>	<input type="checkbox"/>	<input type="checkbox"/>	<input type="checkbox"/>	<input type="checkbox"/>	<input type="checkbox"/>	<input type="checkbox"/>
	16"	N/C	<input type="checkbox"/>	<input type="checkbox"/>	<input type="checkbox"/>	<input type="checkbox"/>	<input type="checkbox"/>	<input type="checkbox"/>	<input type="checkbox"/>	<input type="checkbox"/>	<input type="checkbox"/>	<input type="checkbox"/>
	17"	N/C	<input type="checkbox"/>	<input type="checkbox"/>	<input type="checkbox"/>	<input type="checkbox"/>	<input type="checkbox"/>	<input type="checkbox"/>	<input type="checkbox"/>	<input type="checkbox"/>	<input type="checkbox"/>	<input type="checkbox"/>
	18"	N/C	<input type="checkbox"/>	<input type="checkbox"/>	<input type="checkbox"/>	<input type="checkbox"/>	<input type="checkbox"/>	<input type="checkbox"/>	<input type="checkbox"/>	<input type="checkbox"/>	<input type="checkbox"/>	<input type="checkbox"/>
	19"	N/C	<input type="checkbox"/>	<input type="checkbox"/>	<input type="checkbox"/>	<input type="checkbox"/>	<input type="checkbox"/>	<input type="checkbox"/>	<input type="checkbox"/>	<input type="checkbox"/>	<input type="checkbox"/>	<input type="checkbox"/>
	20"	Add Charge	<input type="checkbox"/>	<input type="checkbox"/>	<input type="checkbox"/>	<input type="checkbox"/>	<input type="checkbox"/>	<input type="checkbox"/>	<input type="checkbox"/>	<input type="checkbox"/>	<input type="checkbox"/>	<input type="checkbox"/>

Transit Option

Cannot be retrofitted

Transit System K0108 _____ Add Charge

Backrest

Back Post / Height Range / Back Height

Select Back Height in row corresponding to desired Back Post and Height Range. 16" maximum Back Height with 12" Seat Widths.

Back Post	Price	Height Range	Back Height				
Height Adjustable	N/C	Short	<input type="checkbox"/> 11 ²	<input type="checkbox"/> 12 ³	<input type="checkbox"/> 13	<input type="checkbox"/> 14	<input type="checkbox"/> 17
		Medium	<input type="checkbox"/> 13	<input type="checkbox"/> 14	<input type="checkbox"/> 15	<input type="checkbox"/> 16	<input type="checkbox"/> 17
		Tall	<input type="checkbox"/> 17	<input type="checkbox"/> 18	<input type="checkbox"/> 19	<input type="checkbox"/> 20	
Fixed Height ¹	N/C		<input type="checkbox"/> 9 ²	<input type="checkbox"/> 10 ²	<input type="checkbox"/> 11 ²	<input type="checkbox"/> 12 ³	<input type="checkbox"/> 13
			<input type="checkbox"/> 14	<input type="checkbox"/> 15	<input type="checkbox"/> 16	<input type="checkbox"/> 17	<input type="checkbox"/> 18

¹ Not available with back upholstery

² Not available with Fold Down Push Handle

³ Folding Push Handle requires Height Adjustable Rigidizer Bar

Sling Position

In Performance Position (0"), sling is at front of frame. The 1" or 2" sling position extends the frame in front of the sling by that amount. See reference C on page 6.

- 0" (Performance) _____ N/C
- 1" _____ N/C
- 2" (Classic) _____ N/C

Adjustable Depth

Adds the capability to grow seat in depth

- No Rear Adjustment _____ N/C
- 1/2" _____ N/C
- 1" _____ Add Charge
- 2" _____ Add Charge

Front Frame Bend

Angle between front seat tube and ground. See reference D on page 6.

- 90° _____ Add Charge
- 85° _____ N/C
- 80° _____ N/C
- 75° _____ N/C
- 70° _____ N/C

Push Handle

- Omit Push Handle _____ N/C
- Standard Push Handle _____ Add Charge
- Low Profile Push Handle **New!** _____ Add Charge
2" shorter than standard push handles
- Bolt-On Push Handle _____ Add Charge
Handles will be 1" - 2" above back height
- Fold Down Push Handle _____ Add Charge

Stroller Handle

Stroller Handles are removable and height adjustable

- Single Stroller Handle _____ Add Charge
- Double Stroller Handle _____ Add Charge
Not available with Push Handles

Backrest continued

Rigidizer Bar

Adjustable Height Rigidizer Bar _____ Add Charge

Spinergy Backrest Release Cable Color

Select desired color. If no selection is made, black will be used.

Black Red White Blue

Seat Back Angle

Standard is 90° (perpendicular to floor). Minus (-°) closes back angle. Plus (+°) opens back angle.

Standard +3° +6° +9°
 -3° -6° -9° -12°

Back Upholstery

Available only with Height Adjustable Back Posts

Padded Velcro Adjustable _____ Std
 Tension Adjustable E2611 _____ Add Charge
 Omit Back Upholstery _____ N/C

Front Seat Height and Casters

Caster Size / Footrest Taper / Front Seat Height

Select Front Seat Height in row corresponding to Footrest Taper and Caster Size. 6" casters not available with 85° and 90° Front Frame Bend. Footrest Taper indicates bend of front frame creating footrest width. Taper is measured from outside of seat frame to outside of front tube. 2" Taper not available with 70° or 75° Front Frame Bend. See reference E on page 6.

Front Seat Height is measured from floor to top of seat tube at front of seat sling. Adjustable up or down by 1/2". See reference F on page 6.

Footrest Taper	Caster Size	Front Seat Height														
Straight	3"	<input type="checkbox"/> 13.5	<input type="checkbox"/> 14	<input type="checkbox"/> 14.5	<input type="checkbox"/> 15	<input type="checkbox"/> 15.5	<input type="checkbox"/> 16	<input type="checkbox"/> 16.5	<input type="checkbox"/> 17	<input type="checkbox"/> 17.5	<input type="checkbox"/> 18	<input type="checkbox"/> 18.5	<input type="checkbox"/> 19	<input type="checkbox"/> 19.5	<input type="checkbox"/> 20	<input type="checkbox"/> 20.5
	4"	<input type="checkbox"/> 14	<input type="checkbox"/> 14.5	<input type="checkbox"/> 15	<input type="checkbox"/> 15.5	<input type="checkbox"/> 16	<input type="checkbox"/> 16.5	<input type="checkbox"/> 17	<input type="checkbox"/> 17.5	<input type="checkbox"/> 18	<input type="checkbox"/> 18.5	<input type="checkbox"/> 19	<input type="checkbox"/> 19.5	<input type="checkbox"/> 20	<input type="checkbox"/> 20.5	
	5"	<input type="checkbox"/> 14.5	<input type="checkbox"/> 15	<input type="checkbox"/> 15.5	<input type="checkbox"/> 16	<input type="checkbox"/> 16.5	<input type="checkbox"/> 17	<input type="checkbox"/> 17.5	<input type="checkbox"/> 18	<input type="checkbox"/> 18.5	<input type="checkbox"/> 19	<input type="checkbox"/> 19.5	<input type="checkbox"/> 20	<input type="checkbox"/> 20.5		
	6"	<input type="checkbox"/> 15	<input type="checkbox"/> 15.5	<input type="checkbox"/> 16	<input type="checkbox"/> 16.5	<input type="checkbox"/> 17	<input type="checkbox"/> 17.5	<input type="checkbox"/> 18	<input type="checkbox"/> 18.5	<input type="checkbox"/> 19	<input type="checkbox"/> 19.5	<input type="checkbox"/> 20	<input type="checkbox"/> 20.5			
1" Taper	3"	<input type="checkbox"/> 16.5	<input type="checkbox"/> 17	<input type="checkbox"/> 17.5	<input type="checkbox"/> 18	<input type="checkbox"/> 18.5	<input type="checkbox"/> 19	<input type="checkbox"/> 19.5	<input type="checkbox"/> 20	<input type="checkbox"/> 20.5						
	4"	<input type="checkbox"/> 17	<input type="checkbox"/> 17.5	<input type="checkbox"/> 18	<input type="checkbox"/> 18.5	<input type="checkbox"/> 19	<input type="checkbox"/> 19.5	<input type="checkbox"/> 20	<input type="checkbox"/> 20.5							
	5"	<input type="checkbox"/> 17.5	<input type="checkbox"/> 18	<input type="checkbox"/> 18.5	<input type="checkbox"/> 19	<input type="checkbox"/> 19.5	<input type="checkbox"/> 20	<input type="checkbox"/> 20.5								
	6"	<input type="checkbox"/> 18	<input type="checkbox"/> 18.5	<input type="checkbox"/> 19	<input type="checkbox"/> 19.5	<input type="checkbox"/> 20	<input type="checkbox"/> 20.5									
2" Taper	3"	<input type="checkbox"/> 16.5	<input type="checkbox"/> 17	<input type="checkbox"/> 17.5	<input type="checkbox"/> 18	<input type="checkbox"/> 18.5	<input type="checkbox"/> 19	<input type="checkbox"/> 19.5	<input type="checkbox"/> 20	<input type="checkbox"/> 20.5						
	4"	<input type="checkbox"/> 17	<input type="checkbox"/> 17.5	<input type="checkbox"/> 18	<input type="checkbox"/> 18.5	<input type="checkbox"/> 19	<input type="checkbox"/> 19.5	<input type="checkbox"/> 20	<input type="checkbox"/> 20.5							
	5"	<input type="checkbox"/> 17.5	<input type="checkbox"/> 18	<input type="checkbox"/> 18.5	<input type="checkbox"/> 19	<input type="checkbox"/> 19.5	<input type="checkbox"/> 20	<input type="checkbox"/> 20.5								
	6"	<input type="checkbox"/> 18	<input type="checkbox"/> 18.5	<input type="checkbox"/> 19	<input type="checkbox"/> 19.5	<input type="checkbox"/> 20	<input type="checkbox"/> 20.5									

Caster Type

.75" Rollerblade _____ N/C
Available only with 3" and 4" Caster Sizes

.75" Lighted Rollerblade _____ Add Charge
Available only with 3" and 4" Caster Sizes

1" Poly _____ N/C
Not available with 3" Caster Size

1" Poly Aluminum _____ Add Charge
Available only with 4" and 5" Caster Sizes

1" Pneumatic _____ Add Charge
Available only with 6" Caster Size

1.5" Poly _____ Add Charge
Available only with 4" 5" and 6" Caster Sizes

1.5" Soft Roll Aluminum _____ Add Charge

Fork Options

Standard Fork _____ Std

Single Sided Fork _____ Add Charge

Frog Legs Ultra-Sport Fork - Black E1015 _____ Add Charge
Not included in Colored Anodizing Package

End User Weight Required: _____ Kgs

Footrest

- Footplate**
- Tubular "Open" Footplate _____ Std
 - Tubular Footplate with ABS Cover _____ Add Charge
Not available with footrest widths greater than 15.5". See Reference G on page 6 for further explanation.
 - Aluminum Angle Adjustable K0040 _____ Add Charge
 - Aluminum Angle Adjustable with Riser K0040, K0037 _____ Add Charge
 - High Mount Aluminum Angle Adjustable _____ Add Charge
 - Angle Adjustable Flip Under K0040, K0037 _____ Add Charge
Not available with footrest widths less than 9.5". See Reference G on page 6.
 - High Mount Angle Adjustable Flip Under _____ Add Charge
Not available with footrest widths greater than 13.5". See Reference G on page 6.

Seat to Footrest Length

Measured from front edge of seat sling to top, rear of footrest. Footrest length at least 2.5" shorter than Front Seat Height recommended. See reference H on page 6.

<input type="checkbox"/> 8"	<input type="checkbox"/> 8.5"	<input type="checkbox"/> 9"	<input type="checkbox"/> 9.5"	<input type="checkbox"/> 10"	<input type="checkbox"/> 10.5"
<input type="checkbox"/> 11"	<input type="checkbox"/> 11.5"	<input type="checkbox"/> 12"	<input type="checkbox"/> 12.5"	<input type="checkbox"/> 13"	<input type="checkbox"/> 13.5"
<input type="checkbox"/> 14"	<input type="checkbox"/> 14.5"	<input type="checkbox"/> 15"	<input type="checkbox"/> 15.5"	<input type="checkbox"/> 16"	<input type="checkbox"/> 16.5"
<input type="checkbox"/> 17"	<input type="checkbox"/> 17.5"	<input type="checkbox"/> 18"	<input type="checkbox"/> 18.5"	<input type="checkbox"/> 19"	<input type="checkbox"/> 19.5"

Footplate Protector

- Footrest Protector _____ N/C
Not available with Angle Adjustable Flip Under or High Mount Angle Adjustable Flip Under Footplates

Rear Seat Height and Wheels

Wheel Size / Rear Seat Height

Select Rear Seat Height in row corresponding to desired Wheel Size. Measured from floor to top of seat tube at front of back post. Rear Seat Height is custom to needs. See reference I on page 6. Note: For proper setup, selection is required when omitting rear wheels.

Wheel Size	Rear Seat Height															
20"	<input type="checkbox"/> 12.5 ¹	<input type="checkbox"/> 13	<input type="checkbox"/> 13.5	<input type="checkbox"/> 14	<input type="checkbox"/> 14.5	<input type="checkbox"/> 15	<input type="checkbox"/> 15.5	<input type="checkbox"/> 16	<input type="checkbox"/> 16.5	<input type="checkbox"/> 17	<input type="checkbox"/> 17.5	<input type="checkbox"/> 18	<input type="checkbox"/> 18.5	<input type="checkbox"/> 19	<input type="checkbox"/> 19.5	<input type="checkbox"/> 20
22"	<input type="checkbox"/> 13.5 ¹	<input type="checkbox"/> 14	<input type="checkbox"/> 14.5	<input type="checkbox"/> 15	<input type="checkbox"/> 15.5	<input type="checkbox"/> 16	<input type="checkbox"/> 16.5	<input type="checkbox"/> 17	<input type="checkbox"/> 17.5	<input type="checkbox"/> 18	<input type="checkbox"/> 18.5	<input type="checkbox"/> 19	<input type="checkbox"/> 19.5	<input type="checkbox"/> 20		
24"	<input type="checkbox"/> 14.5 ¹	<input type="checkbox"/> 15	<input type="checkbox"/> 15.5	<input type="checkbox"/> 16	<input type="checkbox"/> 16.5	<input type="checkbox"/> 17	<input type="checkbox"/> 17.5	<input type="checkbox"/> 18	<input type="checkbox"/> 18.5	<input type="checkbox"/> 19	<input type="checkbox"/> 19.5	<input type="checkbox"/> 20				
25"	<input type="checkbox"/> 15 ¹	<input type="checkbox"/> 15.5	<input type="checkbox"/> 16	<input type="checkbox"/> 16.5	<input type="checkbox"/> 17	<input type="checkbox"/> 17.5	<input type="checkbox"/> 18	<input type="checkbox"/> 18.5	<input type="checkbox"/> 19	<input type="checkbox"/> 19.5	<input type="checkbox"/> 20					
26"	<input type="checkbox"/> 15.5 ¹	<input type="checkbox"/> 16	<input type="checkbox"/> 16.5	<input type="checkbox"/> 17	<input type="checkbox"/> 17.5	<input type="checkbox"/> 18	<input type="checkbox"/> 18.5	<input type="checkbox"/> 19	<input type="checkbox"/> 19.5	<input type="checkbox"/> 20						

¹ Available only with Low Profile Rear Tire Type

Rear Wheel Type

- Spoke _____ N/C
- Mag _____ Add Charge
Not available with 25" or 26" Wheel Sizes
- Superlight Spoke _____ Add Charge
Available only with 24" and 25" Wheel Sizes
- Spinergy Spox _____ Add Charge
Not available with 20" Wheel Size
 Color: Black Red White Blue Yellow
 Handrim: Short Tab Long Tab
Available only with Aluminum Anodized and Plastic Coated Handrims
- Spinergy LX _____ Add Charge
Not available with 20" Wheel Size
 Color: Black Red White Blue Yellow
 Pink Green Orange
 Handrim: Short Tab Long Tab
Available only with Aluminum Anodized and Plastic Coated Handrims

Rear Tire Type

- Full Profile**
- Street Pneumatic 1 3/8" _____ Std
Not available on 25" Wheel Size
 - Full Profile Poly 1 3/8" E2218 _____ Add Charge
Not available on Superlight wheels or 25" Wheel Size
 - Pneumatic with Airless Insert 1 3/8" E2211, E2213 _____ Add Charge
Not available on Superlight wheels or 25" Wheel Size
 - Kenda Iron Cap 1 3/8" Grey E2211, E2212 _____ Add Charge
Available only on 24" Wheel Size. Not available on Mag wheels.
 - Euro Trek Knobby 1 3/8" E2211, E2212 **New!** _____ Add Charge
Available only on 24" Wheel Size
 - Kenda Mountain Nevegal 2" Black E2211, E2212 _____ Add Charge
Available only on 22", 24" and 25" Spoke and Spinergy wheels
- Low Profile**
- Low Profile Poly 1" E2218 _____ Add Charge
Not available on Superlight wheels, 25" or 26" Wheel Sizes
 - Sentinel Solid Tire 1" E2218 **New!** _____ Add Charge
Not available on Superlight wheels
 - High Pressure 1" E2211, E2212 _____ Add Charge
Not available on Mag wheels
 - Schwalbe Speedrun 1" E2211, E2212 _____ Add Charge
Not available on Mag wheels, 20", 22" or 26" Wheel Sizes
 - Schwalbe Marathon Plus Evolution 1" E2211, E2212 _____ Add Charge
Not available on Mag wheels, 20" or 22" Wheel Sizes

Rear Seat Height and Wheels continued

Handrim

No selection needed with One Arm Drive

Standard Handrims

- Aluminum Anodized _____ Std
- Superlight Aluminum Anodized _____ Add Charge
Available only on 24" and 25" Superlight and Spinergy wheels
- Plastic Coated _____ Add Charge
- Projection (8 Vertical Projections) _____ Add Charge
Available on 22", 24", 25" and 26" Spoke wheels & 24" Mag wheels w/full tires
- Spinergy Flex Rim _____ Add Charge
Available only on 24" and 25" Spinergy LX Wheels
- Omit Handrim _____ N/C

Natural Fit Handrims

Not available on 20" Wheel Size or 22" Mag wheels

- Natural Fit LT Regular Grip _____ Add Charge
- Natural Fit Standard Regular Grip _____ Add Charge
- Natural Fit LT Super Grip _____ Add Charge
- Natural Fit Standard Super Grip _____ Add Charge
- Natural Fit LT Omit Grip _____ Add Charge
- Natural Fit Standard Omit Grip _____ Add Charge

Handrim Option

- 3M Micro Grip _____ Add Charge
Not available on Plastic Coated or Projection Handrims

Axle

- Quick Release _____ Std
- Quad Quick Release _____ Add Charge
Not available with Mag wheels

New! Wheelchair Drive Ready

Chair will ship from Ki Mobility with adaption kit installed for selected Alber system. Order system separately from Alber USA. Select Rear Seat Height (full profile selections only) in drive wheel size on Rear Seat Height chart (page 3). Requires Rear Anti-Tips.

- e-motion Ready _____ N/C
- twion Ready _____ N/C

Camber Selection: 0° 3°

Wheel Locks

Wheel Lock

- Push to Lock _____ Std
- Push to Lock Flush Mount _____ N/C
- Pull to Lock _____ N/C
- Under Seat Scissor Lock _____ Add Charge
- Low Profile Scissor Lock _____ Add Charge
Not available with Low Poly Tires or Extension Handles
- Short Thro Scissor Lock _____ Add Charge
- Omit Wheel Locks _____ N/C

Armrests

Armrest Please select Arm Pad option

- Height Adjustable T-Arm (8.5" - 13.5") E0973 _____ Add Charge
- Height Adjustable T-Arm Low (7.5" - 11.5") **New!** _____ Add Charge

Arm Pad

Not available with Swing Away Armrests

- Desk Full
- DCN0025.21 Pricing and specifications subject to change without notice

Center of Gravity Preset

Measured from front of back post to center of rear axle. 0" indicates axle will be directly under back post. See reference J on page 6.

Amputee Positions

<input type="checkbox"/> -1.5"	<input type="checkbox"/> -1.25"	<input type="checkbox"/> -1"	<input type="checkbox"/> -.75"
<input type="checkbox"/> -.5"	<input type="checkbox"/> -.25"	<input type="checkbox"/> 0"	<input type="checkbox"/> .25"

Standard Positions

<input type="checkbox"/> .5"	<input type="checkbox"/> .75"	<input type="checkbox"/> 1"	<input type="checkbox"/> 1.25"
<input type="checkbox"/> 1.5"	<input type="checkbox"/> 1.75"	<input type="checkbox"/> 2"	<input type="checkbox"/> 2.25"
<input type="checkbox"/> 2.5"	<input type="checkbox"/> 2.75"	<input type="checkbox"/> 3"	<input type="checkbox"/> 3.25"
<input type="checkbox"/> 3.5"	<input type="checkbox"/> 3.75"	<input type="checkbox"/> 4"	<input type="checkbox"/> 4.25"

Rear Wheel Spacing

Measured from outside of back to inside of rear tire. Adjustable out 1/2" from setting. 1.5" minimum Rear Wheel Spacing with Height Adjustable Armrests. 1" minimum Rear Wheel Spacing with 0° Rear Wheel Camber. See reference K on page 6. No selection needed with One Arm Drive or Wheelchair Drive Ready options.

- .75" 1" 1.25" 1.5" 1.75"

New! One Arm Drive

- One Arm Drive _____ Add Charge
Available only with 24" Mag wheels. Not available with 0°, 6° or 8° camber. Standard Handrim will be Aluminum Anodized.
- Drive Handrim Side: Left Right
- Drive Handrim Type: Aluminum _____ N/C
 Poly Coated _____ Add Charge

Rear Wheel Camber

- 0° 2° 4° 6° 8°

Wheel Lock Options

- Extension Handles E0961 _____ Add Charge
Available only with Push to Lock or Pull to Lock Wheel Locks
- Grade Aids E0974 _____ Add Charge
Available only with Push to Lock Wheel Locks and Pneumatic, Pneumatic with Airless Insert or Kenda Iron Cap Rear Tire Types

Armrest continued

- Swing Away (8.5" - 12.5") E0973 _____ Add Charge
Not available with Arm Pads
- Swing Away with Side Guard (8.5" - 12.5") E0973 _____ Add Charge
Includes direct mount receiver. Not available with Arm Pads.
- Omit Armrests _____ N/C

Side Guards

Removable Side Guards

Not available with T-Arm or Swing Away with Side Guard Armrests

- Composite Side Guards - Direct Mount Receiver _____ Add Charge
- Composite Side Guards - Clamp-on Receiver _____ Add Charge
- Fender Side Guards K0108 _____ Add Charge
Includes clamp-on receiver

Fabric Side Guard

Not available with T-Arm or Swing Away with Side Guard Armrests or when omitting Back Upholstery

- Fabric Side Guards K0108 _____ Add Charge

Accessories

Anti-Tip

- Rear Anti-Tips E0971 _____ Add Charge

Calf Strap

- Velcro Adjustable K0038 _____ Add Charge
- Padded Velcro Adjustable K0038 _____ Add Charge
- Bodypoint Padded AeroMesh K0038 _____ Add Charge

Positioning Belt

- 1 1/2" Auto Buckle E0978 _____ Add Charge
- 1 1/2" Padded Auto Buckle E0978 _____ Add Charge
- 1" Auto Buckle E0978 _____ Add Charge
- 1" Padded Auto Buckle E0978 _____ Add Charge
- 2" Airline Buckle E0978 _____ Add Charge
- Bodypoint Evoflex - Pelvic Stabilizer E0978 _____ Add Charge
 Size: Small (16-24") Medium (19-29") Large (25-37")
- Bodypoint Belt Mounting Bracket Kit _____ Add Charge

Seat Pan

- Solid Seat Pan E2231 _____ Add Charge

Other Accessories

- Tool Kit _____ Add Charge
- Removable Underseat Pouch _____ Add Charge
- Ki Mobility Backpack _____ Add Charge
- Black Neoprene Impact Guards _____ Add Charge
- Under Chair Carrier and Removable Bag _____ Add Charge
Not available with Seat Widths less than 14"
- Clear Spoke Guards K0065 _____ Add Charge
Not available with Mag wheels
- Black Spoke Guards K0065 _____ Add Charge
Not available with 20" Wheel Size or Mag wheels
- Cane and Crutch Holder _____ Add Charge

Color

Gloss Finish

- Black _____ N/C
- Blue Skies _____ N/C
- Bright Orange _____ N/C
- Bubblegum Pink _____ N/C
- Candy Blue _____ N/C
- Candy Purple _____ N/C
- Candy Red _____ N/C
- Copper _____ N/C
- Fuchsia _____ N/C
- Granny Smith _____ N/C
- Silver _____ N/C

Matte Finish

- Army Green _____ N/C
- Emerald Green _____ N/C
- Iridescent Burgundy _____ N/C
- Iridescent Navy _____ N/C
- Retro Red _____ N/C
- Royal Blue _____ N/C
- Shadow Black _____ N/C
- Charcoal Gray **New!** _____ N/C
- Smooth White _____ N/C

Colored Anodizing Package

Select desired color. If no selection is made, black will be used.
Included in Colored Anodizing Package: Backrest plates, release cable housings, camber tube, towers, CG clamps, side guard receivers, RP tuning housing and front caster forks (standard or unitine).

- Black _____ N/C
- Blue _____ Add Charge
- Bright Green _____ Add Charge
- Orange _____ Add Charge
- Pewter _____ Add Charge
- Pink _____ Add Charge
- Purple _____ Add Charge
- Red _____ Add Charge
- Yellow _____ Add Charge

Graphic Image Transfer

Visit www.kimobility.com for current graphic image transfer options
 Note selection below

- _____ Add Charge
Not available with Transit Option

References

A. Seat Width See Diagram 1

Measured from outside of frame tube on one side to outside of frame tube on other side.

B. Seat Depth See Diagram 3

Measured from front of back posts to front edge of seat sling. Seat sling starts at beginning of bend at front of frame.

C. Sling Position See Diagram 2

In Performance Position (0°), sling is at front of frame to keep chair shorter and more maneuverable. The 1" or 2" seat sling position extends the frame in front of the sling by that amount. Adding more frame can improve stability and provide support to aid in transfers.

D. Front Frame Bend See Diagram 3

Angle between front seat tube and ground.

E. Footrest Taper See Diagram 1

Indicates bend of front frame creating footrest. Taper is measured from outside of seat frame to outside of front tube.

F. Front Seat Height See Diagram 1

Measured from floor to top of seat tube at front of seat sling.

G. Footrest Width See Diagram 1

Measured from inside of front tube to inside of front tube on other side. Footrest width is listed below for each seat width and taper.

Seat Width	Straight	1" Taper	2" Taper
Outside Measurement	2" Narrower than Seat Width	4" Narrower than Seat Width	6" Narrower than Seat Width
12"	9.5"	7.5"	
13"	10.5"	8.5"	
14"	11.5"	9.5"	
15"	12.5"	10.5"	
16"	13.5"	11.5"	9.5"
17"	14.5"	12.5"	10.5"
18"	15.5"	13.5"	11.5"
19"	16.5"	14.5"	12.5"
20"	17.5"	15.5"	13.5"

H. Seat to Footrest Length See Diagram 3

Measured from front edge of seat sling to top of rear of footrest. Footrest length of at least 2.5" shorter than front seat height recommended.

I. Rear Seat Height See Diagram 3

Measured from floor to top of seat tube at front of back post. Rear seat height is custom to needs.

J. Center of Gravity Preset See Diagram 3

Measured from front of back post to center of rear axle. 0" indicates axle will be directly under back post.

K. Rear Wheel Spacing See Diagram 1

Measured from outside of seat back to inside of rear tire. Adjustable out .5" from setting.

Diagram 1

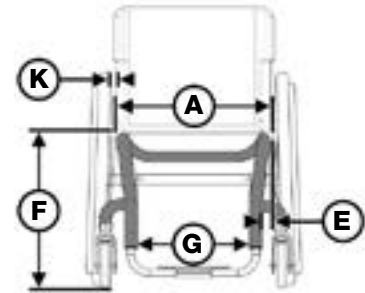


Diagram 2

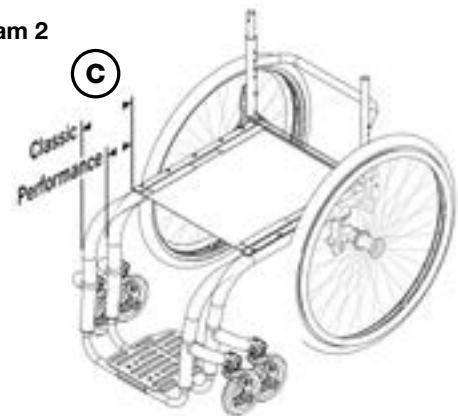
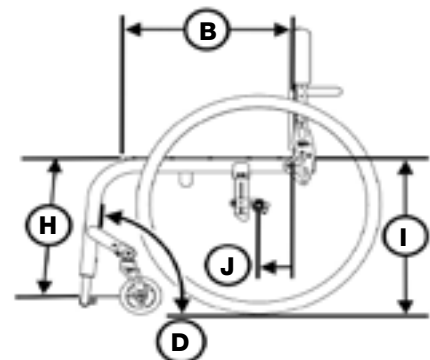


Diagram 3



Cushions

Comfort Company Seat Cushions

STEP 1: Choose Cushion

- Comfort Company Curve Cushion (14"x14" to 20"x20") Add Charge
- Comfort Company Curve Cushion (Over 20"x20") Add Charge

STEP 2: Choose Cushion Size

- Match to Chair Size
- Other Size - Provide Part Number _____

RIDE DESIGNS Seat Cushions

Cushion size is determined by chair dimensions. Certain sizes will have higher price and longer lead time; visit www.motionconcepts.com/matrix_international.html for size specifications.

STEP 1: Choose Cushion

- Forward Cushion Add Charge
Cushions have a weight capacity of 250 lbs.
- Java Cushion Add Charge
Weight capacity of 300 lbs
- Additional Cushion Cover Add Charge

STEP 2: Choose Cushion Size

- Match to Chair Size
- Other Size - Provide Part Number _____

Backs

Ride Designs Backs

- Java Back Regular Add Charge
 Back Width:
 14" 15" 16" 17" 18" 19" 20"
- Java Back Tall Add Charge
 Back Width:
 14" 15" 16" 17" 18" 19" 20"
- Java Back Grande Add Charge
 Back Width:
 14" 15" 16" 17" 18" 19" 20"

- Backrest Depth: Standard 3" Contour
- Backrest Depth: Deep 6" Contour

Therafin Headrest for MATRX Back Systems

- Headrest, Multi-Axis Offset Hardware with Smooth/Soft Pad (E1028, E0955) Add Charge
 PAD SIZE: 5 x 8 5 x 10 5 x 14

Ride Designs Headrest Mounting Hardware Plate

- _____ Add Charge
For mounting most manufacturers Headrest hardware.



Vest

Not compatible with Back Upholstery

- Full Shape, Comfort Strap (E0960) _____ Add Charge
 - Small 30589 Medium 30590 Large 30591
 - X-Large 30592 2X-Large 30593
- Full Shape, Extended Strap (E0960) _____ Add Charge
 - Small 30594 Medium 30595 Large 30596
 - X-Large 30597 2X-Large 30598
- Trim Shape, Comfort Strap (E0960) _____ Add Charge
 - Small 30618 Medium 30619 Large 30620
 - X-Large 30621 2X-Large 30622
- Trim Shape, Extended Strap (E0960) _____ Add Charge
 - Small 30604 Medium 30624 Large 30625
 - X-Large 30626 2X-Large 30627

Shoulder Harness

With metal clips and cam locks. Not compatible with Back Upholstery.

- Small (E0960) 61403 _____ Add Charge
- Medium (E0960) 61503 _____ Add Charge
- Large (E0960) 61703 _____ Add Charge
- X-Large (E0960) 61803 _____ Add Charge

Hip Belt

- 4 Point Y-Style, Metal Buckle (E0978) _____ Add Charge
 - Small 60024 Medium 60025 Large 60026
- Dual Rear Pull, Metal Attaching Clips (E0978)
 - 1" Straps, 6.25"W x 1.75"H Pads 60161 _____ Add Charge
 - 1.5" Straps, 7.25"W x 2.25"H Pads 60171 _____ Add Charge
 - 1.5" Straps, 9.25"W x 2.5"H Pads 60181 _____ Add Charge
- Single Pull, Metal Buckle (E0978)
 - 1" Straps, 4.25"W x 1.75"H Pads 61001 _____ Add Charge
 - 1" Straps, 5.25"W x 1.75"H Pads 61101 _____ Add Charge
 - 1" Straps, 6.25"W x 1.75"H Pads 61201 _____ Add Charge
 - 1.5" Straps, 5.25"W x 2.25"H Pads 62001 _____ Add Charge
 - 1.5" Straps, 9.25"W x 2.5"H Pads 62201 _____ Add Charge
 - 2" Straps, 9.25"W x 3"H Pads 64001 _____ Add Charge
 - 2" Straps, 11.25"W x 3"H Pads 64101 _____ Add Charge

Cane Mounted Swing Away Lateral Thoracic Support

Sold as pair. Not compatible with Back Upholstery.

- Swing Away Kits w/ 4"x6" Gel Pads 50021 _____ Add Charge
- Swing Away Kits, No Pads 50022 _____ Add Charge

Knee Adductor

- Flip Down Hardware (E1028) _____ Add Charge
Sold in pairs, one right side and one left side
 - Short Arm, Fits 1-3/8" Tubing 32974
 - Long Arm, Fits 1-3/8" Tubing 32973
- Knee Adductor Pad with Neoprene Cover (E0956) _____ Add Charge
Sold single
 - Small Pad, 4.25" x 3.25" 50490 Quantity: _____
 - Medium Pad, 6.25" x 4.25" 50491 Quantity: _____

Foot / Shoe Holder

Compatible only with Angle Adjustable Footplates

- FootSure Ankle Support (K0108) _____ Add Charge
Sold in pairs
 - X-Small w/ Buckle Closure, 6"-8" Circum. 60250
 - Small w/ Buckle Closure, 7"-8.5" Circum. 60251
 - Medium w/ Buckle Closure, 8"-11" Circum. 60252
 - Large w/ Buckle Closure, 9"-12" Circum. 60253
 - X-Large w/ Buckle Closure, 12.5"-15" Circum. 60254
 - X-Small w/ Hook-N-Loop Closure, 5"-6" Circum. 60255
 - Small w/ Hook-N-Loop Closure, 6"-8" Circum. 60256
 - Med w/ Hook-N-Loop Closure, 8"-10.5" Circum. 60257
 - Large w/ Hook-N-Loop Closure, 9"-12" Circum. 60258
 - X-Lrg w/ Hook-N-Loop Closure, 12"-15" Circum. 60259
- Padded Footbox (K0108)
 - Small, Full Design, Fits 14" Chair 30111 _____ Add Charge
 - Medium, Full Design, Fits 16" Chair 30112 _____ Add Charge
 - Large, Full Design, Fits 18" Chair 30113 _____ Add Charge
 - Small, Split Design, Fits 14" Chair 30152 _____ Add Charge
 - Medium, Split Design, Fits 16" Chair 30153 _____ Add Charge
 - Large, Split Design, Fits 18" Chair 30154 _____ Add Charge
- Molded Shoe Holders (K0108) _____ Add Charge
Sold in pairs
 - Small with Plain Straps, 3.5" x 5.25" 30293
 - Medium with Plain Straps, 4" x 6.5" 30303
 - Large with Plain Straps, 4.75" x 8" 30309
 - X-Large with Plain Straps, 5" x 10" 30316



Half Tray

Not compatible with Swing Away Armrests

- Standard Shape, Clear, Flip-Away (E0950, E1028) _____ Add Charge
 - Right Side 41310 Left Side 41311
- Standard Shape, Padded, Flip-Away (E0950, E1028) _____ Add Charge
 - Right Side 41350 Left Side 41353
- Trimline Shape, Padded, Flip-Away (E0950, E1028) _____ Add Charge
 - Right Side 41352 Left Side 41351

Clear Tray with Border and Pre-Drilled Holes

STEP 1: Choose Tray

Chair Width	Tray Dimension (W x D)	Body Cutout (W x D)	Part Number	Price	
12"	18 x 16	8.5 x 5	33206	Add Charge	<input type="checkbox"/>
	18 x 16	9.5 x 5.5	33207	Add Charge	<input type="checkbox"/>
13"	19 x 18	9.5 x 5.5	33208	Add Charge	<input type="checkbox"/>
	19 x 18	10.5 x 6	33209	Add Charge	<input type="checkbox"/>
14"	20 x 18	10.5 x 6	33210	Add Charge	<input type="checkbox"/>
	20 x 18	11.5 x 6.5	33211	Add Charge	<input type="checkbox"/>
15"	21 x 18	11.5 x 6.5	33212	Add Charge	<input type="checkbox"/>
	21 x 18	12.5 x 7	33213	Add Charge	<input type="checkbox"/>
16"	22 x 21	12.5 x 7.5	33214	Add Charge	<input type="checkbox"/>
	22 x 21	13.5 x 8.5	33215	Add Charge	<input type="checkbox"/>
17"	23.5 x 22	13.5 x 8.5	33216	Add Charge	<input type="checkbox"/>
	23.5 x 22	14.5 x 9.5	33217	Add Charge	<input type="checkbox"/>
18"	24.5 x 22	14.5 x 9.5	33218	Add Charge	<input type="checkbox"/>
	24.5 x 22	15.5 x 10.5	33219	Add Charge	<input type="checkbox"/>
19"	26.5 x 22	15.5 x 10.5	33220	Add Charge	<input type="checkbox"/>
	26.5 x 22	16.5 x 11	33221	Add Charge	<input type="checkbox"/>
20"	26.5 x 22	17 x 11	33222	Add Charge	<input type="checkbox"/>
	26.5 x 22	18 x 11	33223	Add Charge	<input type="checkbox"/>

STEP 2: Choose Tray Hardware

- E-Z Lock Clamps, Tube Arm (E1028) 31072 _____ Add Charge
Compatible only with Swing Away Armrests. Sold in Pairs.
- E-Z Lock Clamps, Standard (E1028) 31098 _____ Add Charge
Not compatible with Swing Away Armrests. Sold in Pairs.

Communication Mount Hardware

Choose Device Holder AND Mount

STEP 1: What DEVICE will be used?

- Smart Phone 32359 _____ Add Charge
- Large Smart Phone 32354 _____ Add Charge
- I-Pad 32355 _____ Add Charge
- I-Pad Mini 32356 _____ Add Charge
- 7" Tablet 32357 _____ Add Charge
- 10" Tablet 32358 _____ Add Charge

STEP 2: Where does it need to MOUNT?

- 1-3/8" Frame 32366 _____ Add Charge
- Armrest 32351 _____ Add Charge
Not compatible with Swing Away Armrests
- Tray 32352 _____ Add Charge